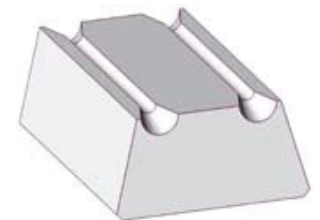
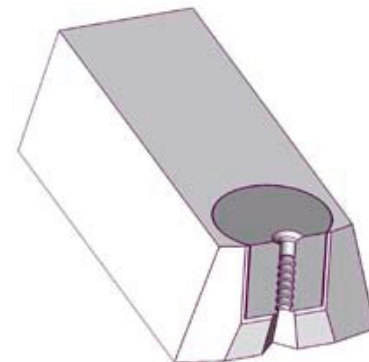
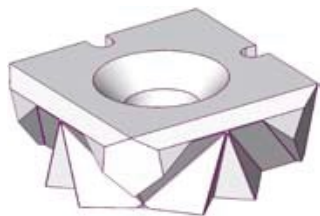


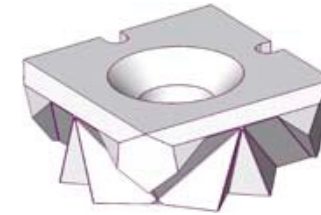
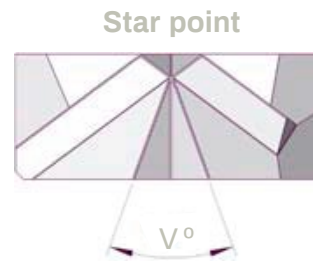
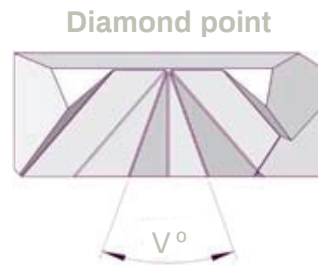
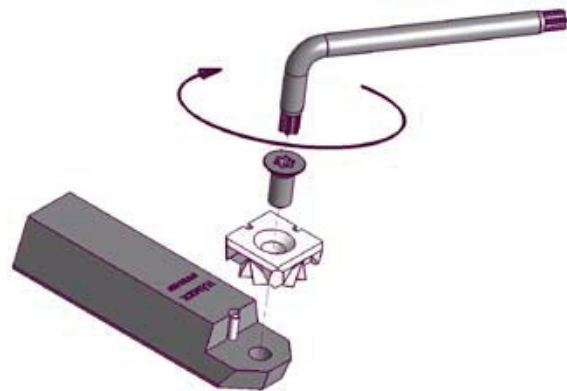
# The right tools for the world's leading nail making machines



# Cutting knives

Håmex cutting knives save time and money. The tools have an exchangeable cutting unit with double cutter profile. When the first one has worn out, just turn the insert and continue. You get a longer lifespan for every cutter and a faster changeover that you can make while the tool is still in the machine.

Cutting knives for all sizes of machine are in stock for immediate delivery with star point and diamond point as standard and a two-wire version as optional. Angles at 40 and 60 degrees are standard with others available on request.



Machine	Type	Insert (Width x Width x Height)			
		12x12x5 mm	16x16x6 mm	20x20x8 mm	22x22x10 mm
MORONI	SPN.50	+			
MORONI	SPN.70		+		
MORONI	SPN.120			+	
MORONI	SPN.170, 240, 320				+
VITARI	V10/R	+			
VITARI	V14/R		+		
VITARI	V17/R			+	
VITARI	V20/R, V23/RM V27/R, V30/R				+
KOVOPOL	THA14/23-B, THA25/60-B	+			
KOVOPOL	THA14/32-A, THA25/60-A		+		
KOVOPOL	THA31/180, THA40/120			+	
WAFIOS	N25, N40, N50, S25, S40, S50	+			
WAFIOS	N2, N3, N75, S70, S75		+		
WAFIOS	N4, N5, N100, N140, S110, S140			+	
WAFIOS	N6, S200, S260				+

# Cutting knives for Enkotec machines

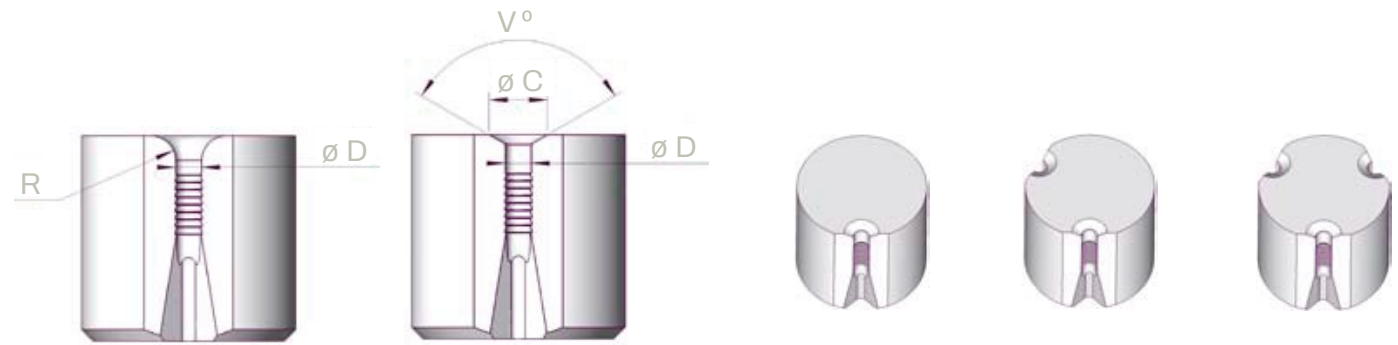
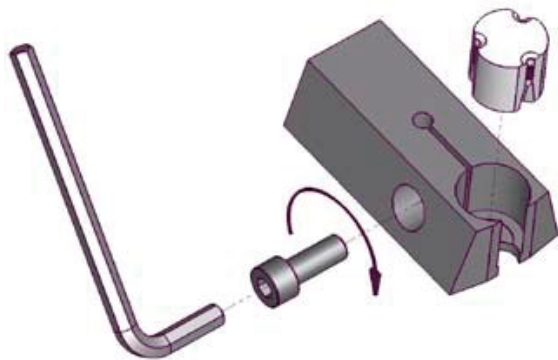
Håmex keeps cutting knives for the most common types of Enkotec machines in stock for immediate delivery. Cutting knives for all models and custom-designed cutting knives are available on request.



# Dies

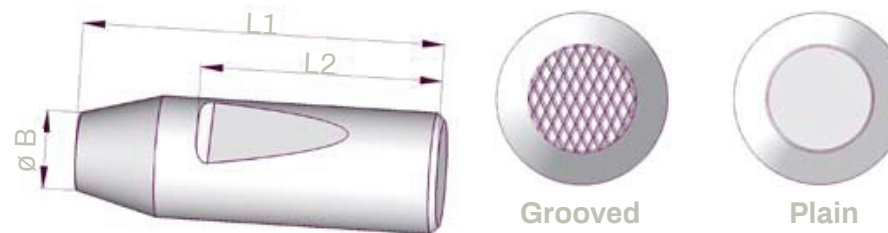
Håmex dies have exchangeable inserts of tungsten carbide with extremely high precision. The inserts are rotatable with up to three profiles. Håmex also manufactures dies with brazed inserts of tungsten carbide in one-wire or two-wire versions.

Machine	Type	Insert (Width x Width x Height)		
		Ø12x12mm	Ø16x15mm	Ø22x21mm
MORONI	SPN.50	+		
MORONI	SPN.70, SPN.120		+	
MORONI	SPN.170, 240, 320			+
VITARI	V10/R, V14/R	+		
VITARI	V17/R, V20/R, V23/RM V27/R, V30/R			+
KOVOPOL	THA14/32-A, THA25/60, THA31/180-B, THA40/120-B		+	
KOVOPOL	THA31/80-A, THA40/120-A			+
WAFIOS	N25, N40, S25, S40, S50	+		
WAFIOS	N2, N3, N50, S75		+	
WAFIOS	N4, N5, N6 N90, N75, N100, N140, S70 S110, S140, S200, S260			+



# Punches

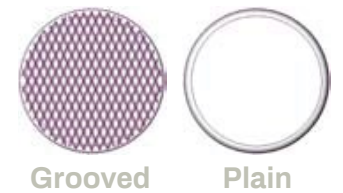
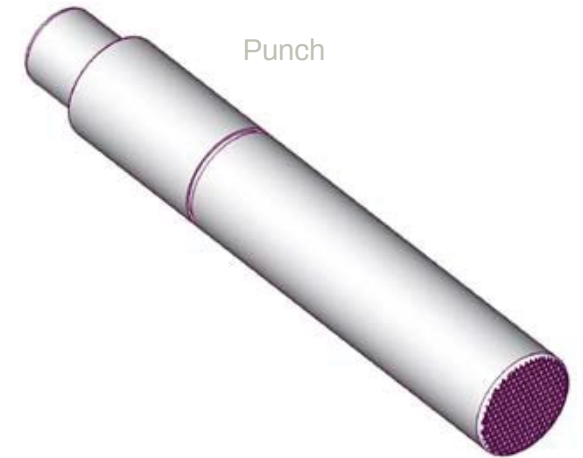
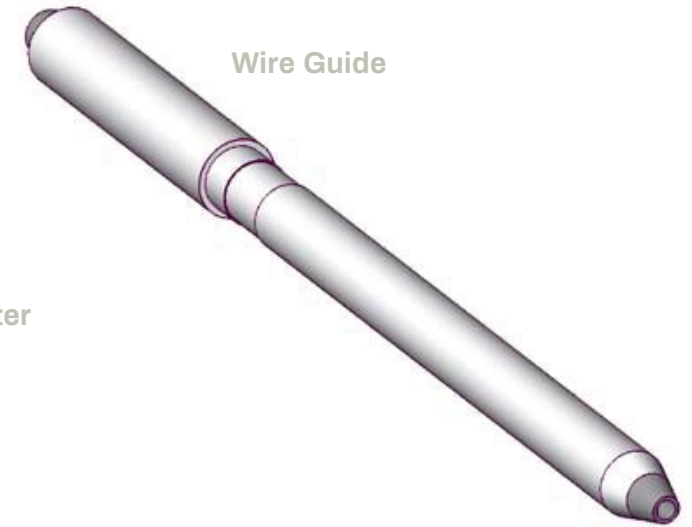
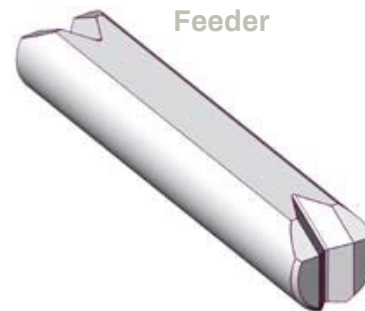
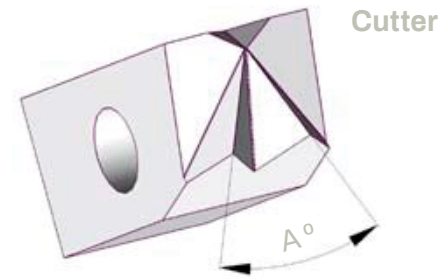
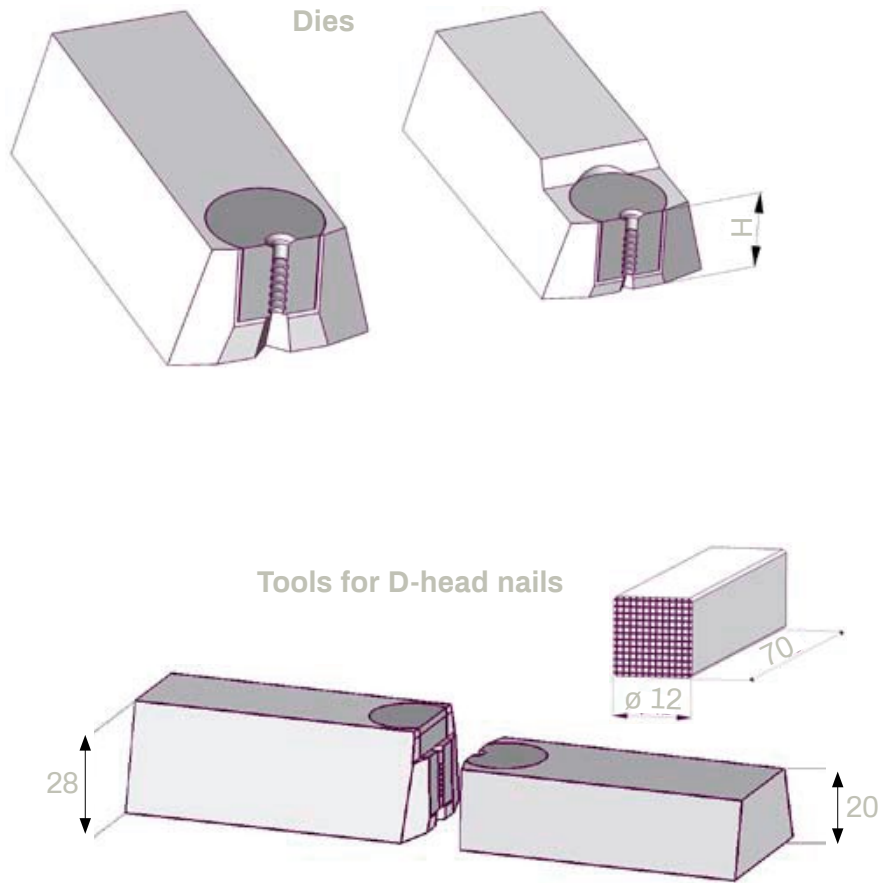
The punches come with a plain or grooved surface as standard. Other profiles can be custom made on request.



# Wafios N90

Håmex has been supplying tungsten carbide tools for the Wafios N90 machine since it was launched. We have in stock a standard range of

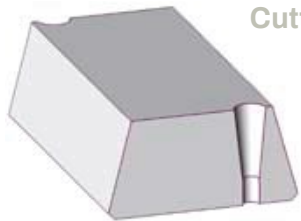
cutting knives with 40 and 60 degrees cutting angles, punches and feeders. We also offer custom-designed tools.



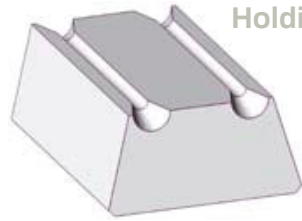
# Wafios N80

Due to its large production capacity, the Wafios N80 machine places extra high demands on tool quality. Hâmex

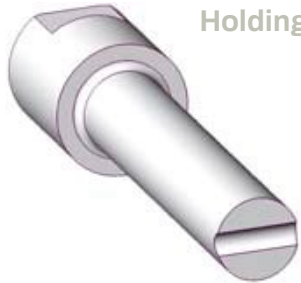
manufactures and supplies all tools for this type of machine.



Cutting Knife



Holding Anvil



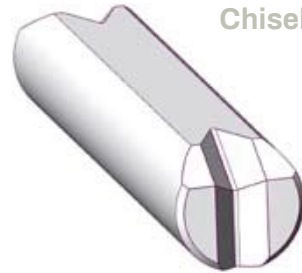
Holding Tool



Cutting Tool



Punch



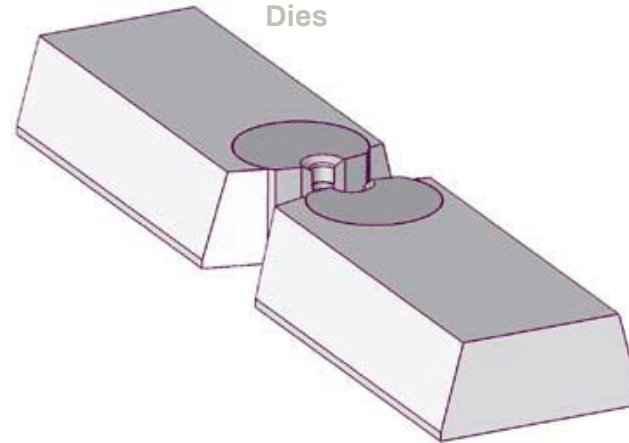
Chisel Feeder



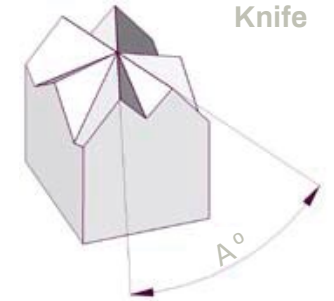
Grooved



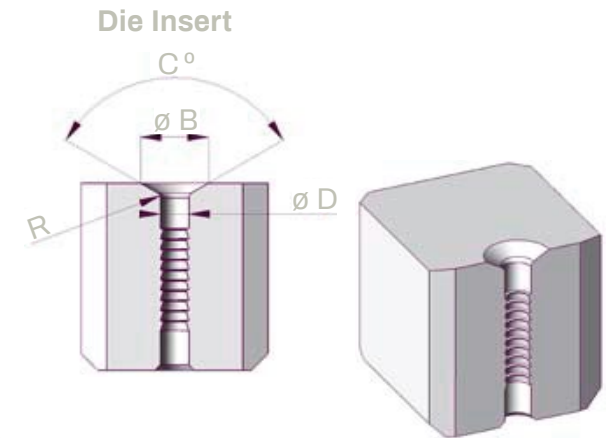
Plain



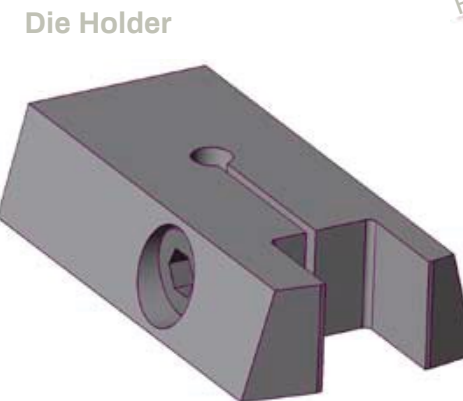
Dies



Knife



Die Insert



Die Holder

# Our promise — your profitability

Håmex has been manufacturing tungsten carbide tools for nail production for more than 30 years. During that time we have developed world-leading expertise in this field. We supply tools that last up to 50 times longer to a growing number of customers around the world.

Our demands for extreme precision include more than the tools. We also aim to be responsive to your demands and provide fast, reliable deliveries. That's because Håmex is more than just better tools. Håmex is a supplier of more profitable production with the highest availability.

