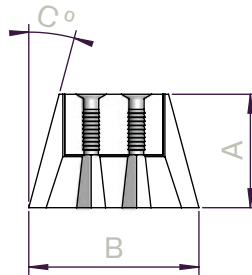
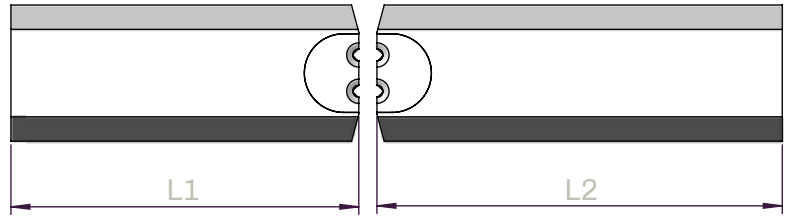
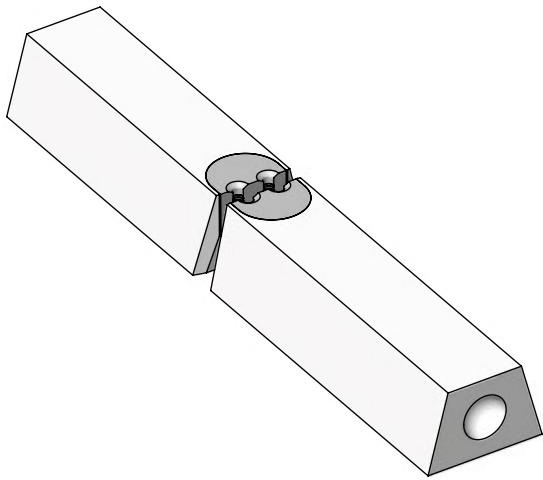
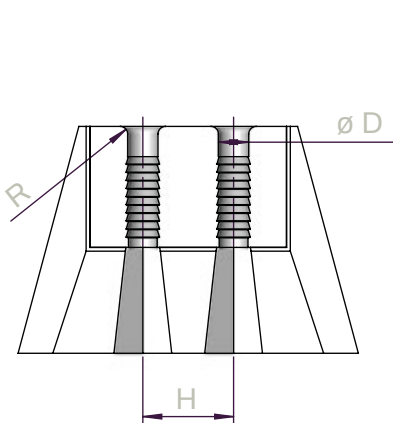


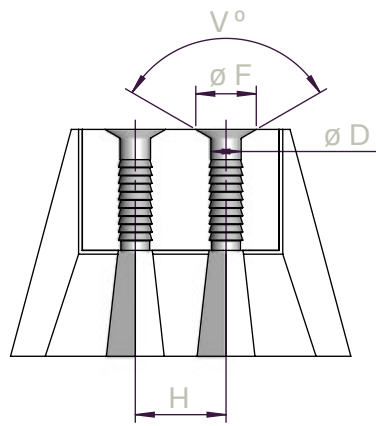
Company	Date	Contact
---------	------	---------



Type	
L1	
L2	
A	
B	
C°	



Radius



Countersunk

Type	
Ø D	
R	
Ø F	
V°	
H	