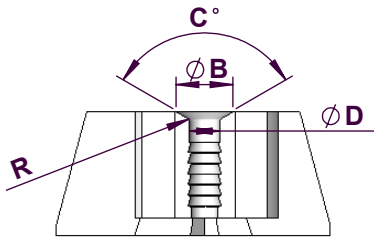
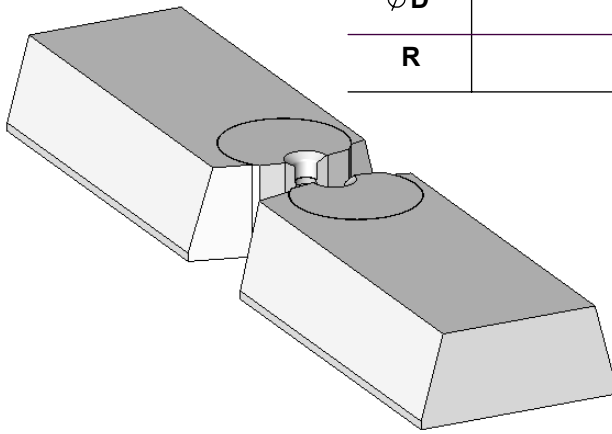


Company	Date
Contact	Sign.



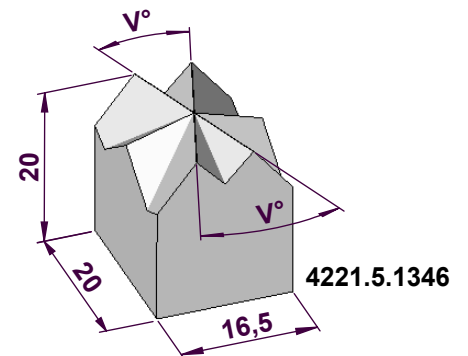
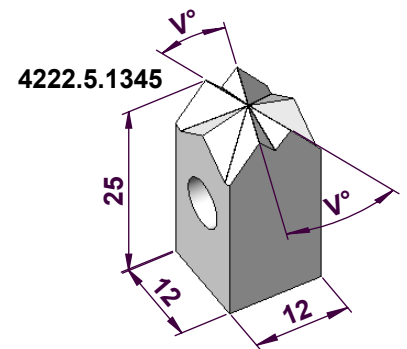
## Brazed Dies

Part No.	
ØB	
C	
ØD	
R	

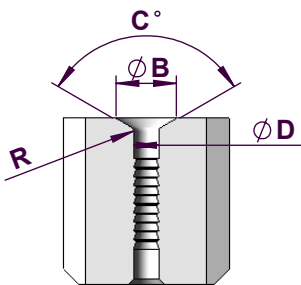


## Knife Insert

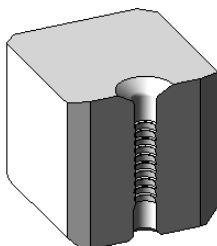
Wafios No.	A°
4221.5.1346	40
4222.5.1345	40



## Die Insert



Part No.	
ØB	
C	
ØD	
R	



## Die Holder

Part No.	
----------	--

